

# EXPLORER

## MOBILITY SCOOTER

888SE



# USER MANUAL

Ed 2

Please read these instructions prior to operating scooter



**SHOPRIDER® Mobility** owns the copyright to the EXPLORER Mobility Scooter user manual. Any information contained in this user manual shall not be photocopied, reproduced or translated into any other languages without the prior written consent of SHOPRIDER® Mobility.

**SHOPRIDER® Mobility** strives to provide the highest quality products possible. Product is subject to change without notice.

© Copyright **SHOPRIDER Mobility**



**SHOPRIDER Mobility** is part of **FOR-DE Group Pty Ltd**

*ASK FOR THE BRAND*

**shoprider.com.au**

# CONTENTS

---

1. **INTRODUCTION**
2. **FEATURES**
3. **SPECIFICATIONS**
4. **SAFETY ADVICE**
5. **SAFETY ADVICE** (continued)
6. **EMI WARNING**
7. **EMI WARNING** (continued)
8. **GLOSSARY OF SCOOTER**
9. **ADJUSTABLE TILLER**
10. **ADJUSTABLE SEAT**
11. **ADJUSTABLE ARMRESTS**
12. **SCOOTER CONTROLS**
13. **OPERATING THE SCOOTER**
14. **OPERATING THE SCOOTER** (continued)
15. **FREEWHEEL OPERATION**
16. **BATTERIES AND CHARGING**
17. **INSPECT / MAINTAIN / SERVICE**
18. **TROUBLESHOOTING**
19. **WARRANTY**
20. **WARRANTY** (continued)
21. **DISCLAIMER**
22. **ACCESSORIES** (continued)
23. **ACCESSORIES** (continued)
24. **ACCESSORIES** (continued)



# INTRODUCTION

---

Thank you for purchasing this SHOPRIDER® Mobility product.

If you have any issues or questions about the EXPLORER Mobility Scooter please contact your supplier or SHOPRIDER® Mobility direct:

T: **+61 8 9248 4180**

E: **orders@for-de.com.au**

A: **1 Business Way, Malaga, Western Australia 6090**

## INTENDED USE

This product has limitations and should be used in accordance to these guidelines. Failure to follow these guidelines may result in damage to the product and injury to the user.

This equipment **MUST** be assembled and used by a competent person. It is the responsibility of the user to ensure the suitability of this product for its intended use. The user should consult their appropriate healthcare professional if unsure of the correct product usage for their unique circumstances.



### IMPORTANT NOTE

If you are ever unsure about any aspect of the EXPLORER Mobility Scooter please do not use and contact your supplier for support.

1.

*ASK FOR THE BRAND*

**shoprider.com.au**

# FEATURES

---

- Full adjustable suspension
- Comfortable high back contoured seat with swivel function
- Height adjustable seat with depth adjustment away from tiller
- Width, height and angle adjustable flip up padded armrests
- Height adjustable headrest
- Angle adjustable backrest
- Padded loop handlebar
- Adjustable rear vision mirrors
- Fingertip operated controls
- Forward / Reverse drive settings
- Variable speed settings
- Battery power indicator
- USB port
- Horn
- Gas assist adjustable tiller
- Removable basket
- LED Headlight
- Rear lights
- Rear wheel drive
- Large pneumatic tyres
- Electromagnetic brake



Please contact your supplier or SHOPRIDER® Mobility if you require any further information on the EXPLORER Mobility Scooter.

# SPECIFICATIONS

Note: All dimensions shown are nominal

---

- Overall: **1280mm (L) x 600mm (W) x 1070mm (H)** (at lowest settings)
- Seat: **460 - 530mm (W int.) x 445mm (D) x 650mm / 680mm / 695mm / 710mm / 725mm (H)**
- Backrest: **460mm (W) x 500mm (H) x 0 - 100° (Angle range)**
- Headrest: **255mm (W) x 180mm (H) x 630 to 750mm (H from seat - 7 settings at 20mm increments)**
- Armrests: **300mm (L) x 85mm (W) x 240 to 315mm (H from seat - 4 settings at 25mm increments)**  
**0 - 90° (Angle range)**
- Tiller: **460mm (W) x 900mm (H) x 30° forwards to 15° towards seat (Angle range)**
- Turning Circle: **1500mm**
- Speed: **10km/h**
- Maximum range: **Up to 32km\***
- Safe climb angle: **9°**
- Maximum climb angle: **9°**
- Motor: **0.75Hp high torque motor (2 pole)**
- Batteries: **2 x 24V / 50 Amp (supplied)**
- Charger: **8 Amp (Supplied)**
- Tyres (Pneumatic): **Front / Rear: Ø260 x 85mm (10")**
- Product Weight: **99kg**
- Maximum User Weight: **136kg (on flat ground)**

\* Maximum range is based on an ambient temperature of 20°C, 75kg user, brand new fully charged battery and constant driving speed of 5km/h on flat level ground.

Please contact your supplier or SHOPRIDER Mobility if you require any further information on the EXPLORER Mobility Scooter.

### 3.

ASK FOR THE BRAND

shoprider.com.au

# SAFETY ADVICE

---

For your own safety, please read the user manual before using the EXPLORER Mobility Scooter. Failure to follow these guidelines may result in damage to the product and put the user at risk. If in any doubt, contact your supplier directly for advice.

- Please make sure that you are physically capable to operate this unit.  
Consult your dealer/appropriate healthcare professional for advice prior to use.
- The EXPLORER Mobility Scooter is designed to take maximum user weight of 136kg.
- Designed for single person use only (Do not carry passengers)
- Do not travel up inclines over 9 degrees (15.8% grade).
- Reduce speed when turning.
- Do not get on or off the scooter unless the brake is on and the scooter is switched off.
- Do not switch off the scooter while the scooter is moving.
- Do not drive the scooter where you can not safely or legally walk.
- Do not attempt to drive over curbs greater than 6.5cm in height. Doing so could cause your scooter to turn over, causing personal injury or damage to the scooter. For curbs less than 6.5cm, always approach them at an angle of 90 degrees and at a low speed.
- Do not drink or use a mobile phone when driving your scooter.
- Always keep your feet on the scooter when moving.
- Always slow down and proceed carefully when traveling over rough or uneven ground.
- For individuals with balance problems, practice getting on the scooter with the assistance of a qualified healthcare professional.
- Do not use an escalator to move a scooter between floors or serious injury could occur.
- Do not drive the scooter on an incline that has oil, water or ice film on it.
- Do not try to lift the scooter by its seat, tiller, rear chassis cover, or any removable parts. Any of these could cause injury to the user or damage to the scooter.
- Do not use parts or accessories that are not authorised by the original manufacturer of the scooter.
- Before sitting in or exiting the scooter, REMOVE the key from the ignition. This will ensure the POWER is off and the scooter can not move under its own power. As a general precaution, always remove the key from the ignition while the scooter is not in use. This will prevent the use by untrained and unauthorised persons.
- Do not connect any foreign device to the scooter battery or charging port. This could cause failure of the device, the scooter and personal injury.

# SAFETY ADVICE (Continued)

---

- Make sure the tiller is properly adjusted and in the locked position to suit the user to avoid damage and injury.
- It is not allowed to have any person sitting in the scooter when transported by a vehicle, otherwise any injury or damage that might result.
- Do not use the scooter in the rain, near a shower or in a damp bathroom. Direct exposure to rain or dampness could cause the scooter to electrically malfunction.
- Do not lean against or pull forward on the tiller while mounting or dismounting the scooter. Otherwise, injury may occur.
- Do not operate the unit or turn the key on while charging.
- Whenever a center bolt of the wheel assembly has been loosened, please replace a specified new bolt from authorized dealers and secure with a torque of  $240 \pm 5$  kg-cm together with Loctite 271 adhesive (or equivalent).
- Charge batteries daily after use.
- Charging plug has to be removed from the scooter after charging.
- Always check the batteries charge remaining before operating the unit to ensure you have sufficient for your journey.
- Always charge the battery pack of the unit in a well ventilated area.
- If the unit went over or sank into deep water, please abandon the scooter and call emergency services for assistance.
- Always remove the key from the scooter when the unit is not in use or before charging, removing and installing the batteries. Otherwise, injury and/or damage to the unit or surrounding property may occur.
- Do not operate the unit in the way of exceeding to the product's specification listed in this owner's manual. Otherwise, injury and/or damage to the unit or surrounding property may occur. Doing so may also void your warranty.
- Do not use the speed lever before the key switch is turned on, or the operation will be prohibited until to turn key switch off and then on.
- Ensure the scooter is serviced every 12 months by an authorised SHOPRIDER® Mobility service provider to ensure it remains in safe working order. Failure to do so may cause catastrophic failure with possible injury and damage to surrounding property.

## 5.



# EMI WARNING

---

Scooters may be susceptible to electromagnetic interference (EMI), which is a kind of interfering electromagnetic energy (EM) emitted from sources such as radio stations, TV stations, amateur radio (HAM) transmitters, two-way radio and mobile phones. The interference (from radio wave sources) can cause the scooter to release its brakes, move by itself, or move in unintended directions. It can also permanently damage the scooter's control system.

The sources of radiated EMI can be broadly classified into three types:

1. Hand-held portable transceivers (transmitters-receivers) with the antenna mounted directly on the transmitting unit. Examples include: citizens band (CB) radios, "walkie talkie", security, fire and police transceivers, cellular telephones, and other personal communication devices.

NOTE! Some mobile phones and similar devices transmit signals while they are ON, even when not being used.

2. Medium-range mobile transceivers, such as those used in police cars, fire trucks, ambulances, and taxis. These usually have the antenna mounted on the outside of the vehicle.

3. Long-range transmitters and transceivers, such as commercial broadcast transmitters (radio and TV broadcast antenna towers) and amateur (HAM) radios.

NOTE! Other types of hand-held devices, such as cordless phones, laptop computers, AM/FM radios, TV sets, CD players, and cassette players, and small appliances, such as electric shavers and hair dryers, so far as we know, are not likely to cause problems to the scooter.

## Scooter Electromagnetic Interference (EMI)

Because EM energy rapidly becomes more intense as one moves closer to the transmitting antenna (source), the EM fields from hand-held radio sources (transceivers) are of special concern. It is possible to unintentionally bring high levels of EM energy very close to the scooter's control system while using these devices. This can affect scooter movement and braking. Therefore, the warnings listed below are recommended to prevent possible interference with the control system of the scooter.

# EMI WARNING (CONTINUED)

---

## WARNINGS

1. Do not operate hand-held transceivers (transmitters-receivers), such as citizens band (CB) radios, or turn ON personal communication devices, such as mobile phones, while the scooter is turned ON.
2. Be aware of nearby transmitters, such as radio or TV stations, and try to avoid coming close to them.
3. If unintended movement or brake release occurs, turn the scooter OFF as soon as it is safe.
4. Be aware that adding accessories or components, or modifying the scooter may make it more susceptible to EMI.

NOTE! There is no easy way to evaluate the overall immunity of the scooter.

5. Report all incidents of unintended movement or braking to your dealer, and note whether there are sources of EMI nearby.

WARNING: The original manufacturer and the importer of the scooter is not responsible for damage or injury incurred due to improper and unsafe use of our scooter.

## IMPORTANT NOTE

If you are ever unsure about any aspect of the EXPLORER Mobility Scooter please do not use and contact your supplier for support.

# GLOSSARY OF SCOOTER

Please become familiar with the EXPLORER Mobility Scooter and the terms used when describing certain parts of the product:



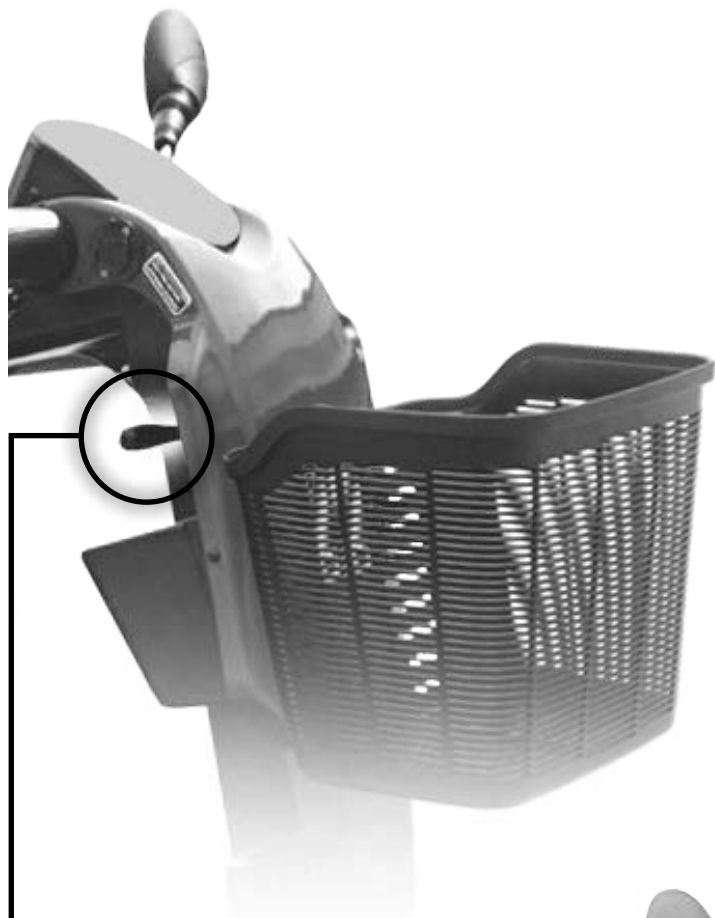
## IMPORTANT NOTE

If you are ever unsure about any aspect of the EXPLORER Mobility Scooter please do not use and contact your supplier for support.

Where possible get the supplier to set up the scooter to suit the users requirements.

# ADJUSTABLE TILLER

The tiller on the EXPLORER Mobility Scooter can be adjusted in angle to suit the user.



## SET UP GUIDELINE

To promote the correct sitting posture:  
The tiller should be within easy reach  
when the users back is leaning  
on the backrest.



## To adjust the tiller angle

- Pull the tiller lever down and at the same time adjust the tiller to the required angle.
- Release the tiller lever to lock the tiller in place.



9.

ASK FOR THE BRAND

shoprider.com.au

# ADJUSTABLE SEAT

The seat on the EXPLORER Mobility Scooter can be adjusted to suit the users requirements:

- Swivel seat
- Seat position in relation to the tiller
- Headrest height
- Backrest angle
- Seat height

## **To swivel the seat**

- Pull lever up.
- Swivel seat to required angle.
- Release lever to lock in place.

## **To adjust the seat height**

- Pull the seat swivel lever up and at the same time pull the seat up and off the scooter.
- Remove the seat locking pin and seat tightening bolt.
- Slide the seat post to the required height.
- Refit seat locking pin and seat tightening bolt.
- Pull the seat swivel lever up and at the same time place seat onto the seat post.

## **To slide the seat**

- Pull lever up.
- Slide seat to required position.
- Release lever to lock in place.

## **To adjust the headrest height**

- Press in button.
- Slide headrest to required height.
- Release button to lock in place.

## **To adjust the backrest angle**

- Pull lever up.
- Rotate backrest to required angle.
- Release lever to lock in place.



# ADJUSTABLE ARMRESTS

The armrests on the EXPLORER Mobility Scooter can be adjusted to suit the users requirements:

- Armrest height
- Armrest width
- Armrest angle

## **To adjust the armrest height**

- Loosen this knob.
- Adjust armrest to required height.
- Tighten knob to lock in place.

## **To adjust the armrest width**

- Loosen this knob.
- Adjust armrest to required width.
- Tighten knob to lock in place.

Armrests can be flipped up for improved access to the seat if required.

## **To adjust the armrest angle**

- Raise the armrest.
- Wind the bolt in or out to set the angle stop.
- Lower the armrest to test angle.

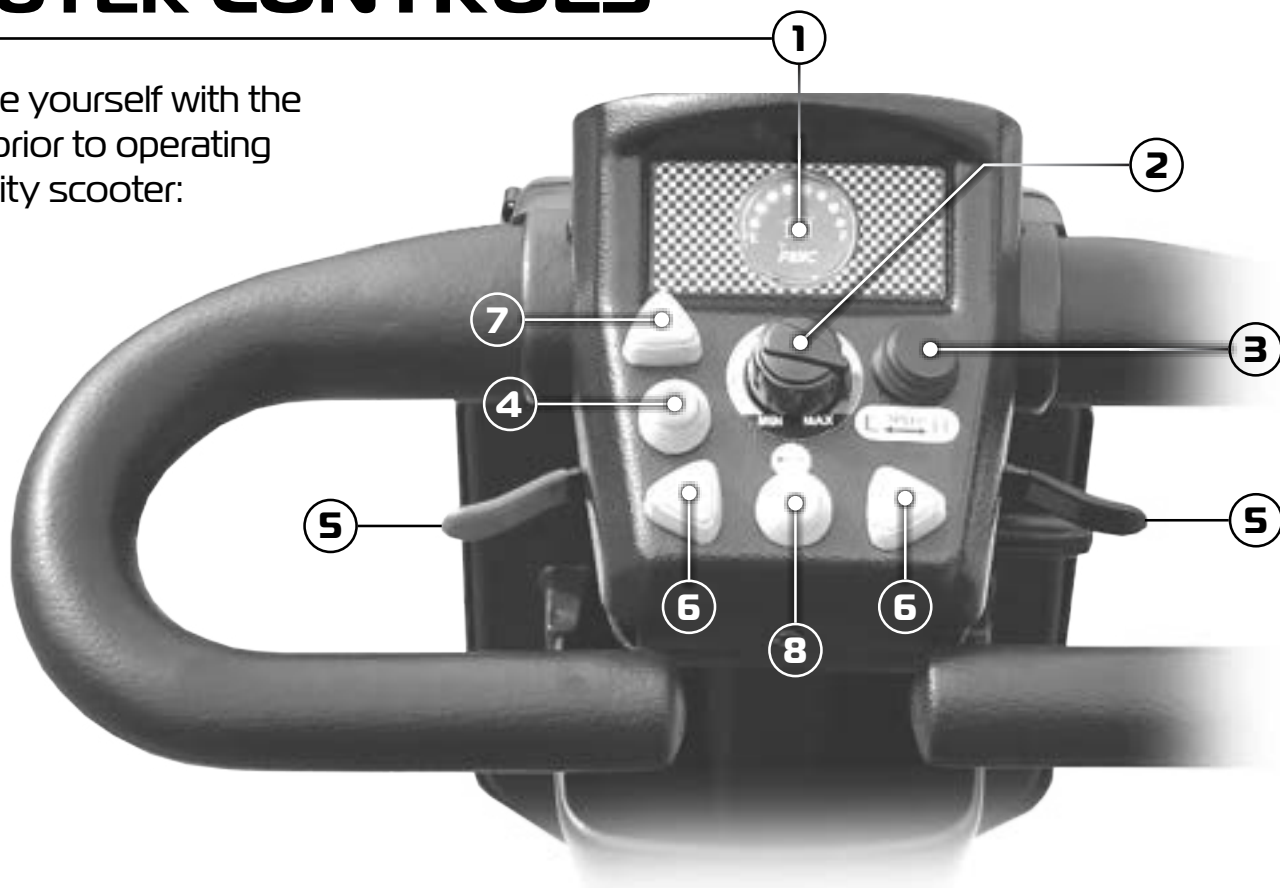
11.

ASK FOR THE BRAND

shoprider.com.au

# SCOOTER CONTROLS

Familiarise yourself with the controls prior to operating the mobility scooter:



## 1. LED BATTERY LEVEL INDICATOR

Always check the battery level prior to going on a journey. Coloured graduating scale ranging from Green (Full battery) to Red (Empty Battery) (Refer to page 16 for information on battery charging)

## 2. VARIABLE SPEED CONTROL DIAL

Turn the dial to determine the speed of the scooter when the finger levers are engaged.

## 3. HIGH / LOW SPEED CONTROL

Toggle the switch between high and low speed control.

## 4. LIGHTS

Press button to turn lights on and off.

## 5. FINGER LEVERS

Right lever pulled toward user: FORWARDS Left lever pulled toward user: BACKWARDS  
How far the lever is pulled in determines speed. Release the lever and the scooter will stop.

## 6. INDICATORS

Press button to turn indicators on and off.

## 7. HAZARD LIGHTS

Press button to turn hazard lights on and off.

## 8. HORN

Press button to sound horn.

# OPERATING THE SCOOTER

---

## Getting Started

- Select a level area with plenty of space.
- Mount the scooter, either by lifting the arm and sliding on to the seat or rotate the seat outwards and then rotate the seat back to face the tiller.
- Adjust the tiller and seat to a comfortable driving position.

## Starting Scooter Movement

- Turn the key to the ON position.
- Your speed setting should be on 1 or 2.
- Pull your right hand finger lever, the scooter will move forward slowly. The harder you pull the faster the scooter goes but will only reach the speed level that has been selected.
- Release the lever and the scooter will slowly come to a stop and the magnetic brake will be applied.

## Steering

Steering the scooter is light and easy. Ensure when starting off you give a wide clearance when turning so that the rear wheels clear any obstacle that you are passing. When steering through limited spaces such as a doorway or when turning around, turn the tiller handles where you want to go and apply power gently. The scooter will turn very tightly, but will still move with complete stability as long as the speed is not too high.

## Reversing

Before reversing ensure that the area behind is free from any hazards or obstructions. Adjust your speed setting to a low setting before you reverse. Pull / press the left thumb/finger lever, and steer wide of all corners and obstacles.

## Dismounting

Before dismounting ensure that the key is turned to the off position. Remove the key when you are away from the scooter.

Please ensure that care is exercised when entering or leaving the scooter and that the tiller and foot rest is not used for support.

**CAUTION: Do not turn off the key while the unit is in motion.**

13.



# OPERATING THE SCOOTER (Continued)

---

## Ramps

The stability of your scooter is governed by several factors such as the seating position, the angle of the slope and your height and weight. When approaching an incline, do so directly and not at an angle and whenever possible avoid making turns. When going down a ramp or slope keep the speed settings to slow. This will ensure there is a safe controlled descent. When the finger levers are released the scooter will slowly stop.

## Safe Climbing Angle

Always follow the guidelines of the safe climbing angle shown:

**9° (15.8%) 91kg**

**6° (10.5%) 113kg**

**0° (0%) 136kg**



---

Angles and weights shown here for this scooter indicate the safe working angles for the user and equipment. Any scooter used outside these parameters may be unsafe and or cause future problems with the electrical systems.

## Grass and Gravel

Please follow the guidelines given previously and your scooter will perform admirably over many surfaces. Avoid long grass, loose gravel and sand.

NOTE: You should not operate your scooter in wet weather or on wet surfaces. This may cause the scooter to malfunction with possible risk of injury and damage to the scooters electrical components.

# FREEWHEEL OPERATION

When required the motor can be disengaged so the scooter can be pushed around without power (Freewheel).

Freewheel  
Release Lever



## **To freewheel the scooter:**

1. Pull the lever up to disengage the motor.
2. Move the scooter to the required location.
3. As soon as you have finished freewheeling the scooter push lever down to re-engage the motor.

## **IMPORTANT NOTE**

- NEVER disengage the motor on an incline.
- Never ride the scooter when the motor is disengaged as the braking system is also disengaged.

15.

# BATTERIES AND CHARGING

---

The EXPLORER Mobility Scooter is supplied with maintenance free sealed lead acid batteries. Battery performance can be affected by temperature, terrain, the condition of the battery, the type of battery charger, the weight of the user, wind speed, etc. The battery level indicator is only a guide and is most effective when the scooter is moving, only then is the true discharge level displayed.

- When the scooter stops the battery level indicator may indicate full.
- An active user can use up to 30% of battery capacity or more per day.
- Inactive users may only use 50% of battery capacity in a week.
- In both these instances the battery should be put on charge over night.

## Battery Charger

The battery charger supplied is special to your scooter, and may not be suitable for any other power mobility product. Use only the charger supplied with your scooter; other makes of chargers may permanently damage your scooter batteries, and would void the warranty. All the information of battery charger and its operation instruction shall be referred to the user manual attached with the charger.

## First Time Use

Prior to using your scooter for the first time, you must charge the batteries fully (refer to Battery Charging Procedures). Charging may take up to 14 hours. Charging the batteries completely prior to first time use will benefit battery efficiency. Failure to do so may cause damage.



## Charging

To charge the batteries connect the 3-pin male plug lead into the 3-pin female battery charging socket located on the tiller.

Plug the A/C cord plug into the wall socket and the other end into the charger (2-pin).

Please refer to the LED indicator description based on charging status of the charger's manual. Once the batteries are completely charged, unplug the A/C cord from the wall and then from the tiller.

## WARNING:

Only use the original SHOPRIDER® approved charger! This charger is for indoor use only.

DO NOT expose it to rain or water spray.

Do not leave the charger plugged into the charger port if the charger is not charging.

# INSPECT / MAINTAIN / SERVICE

---

## INSPECTIONS

Visually and physically look over the EXPLORER Mobile Scooter for signs of damage or wear prior and during use. Inspect the entire scooter and particular attention to the following areas:

**Tyres / Seat / Backrest / Armrests / Tiller / Display / Handgrips / Fixings**

Check to ensure that all parts work and scooter can be controlled as required.

## IMPORTANT NOTE

**If you suspect damage or any fault DO NOT USE the scooter!  
and contact your supplier for service support.**

## MAINTENANCE

The EXPLORER Mobile Scooter is designed to be maintenance free and most components are sealed.

Inspect and tighten any loose wheel bolts, seat and arm tightening bolts, and other nuts and bolts on a regular basis.

The driving axles and seat post should always have a very light coat of multipurpose lubricant or grease to assist with movement.

**DO NOT USE TOO MUCH GREASE!** Drips may stain carpets, furnishings etc.

It is recommended that the driving axles (inside the drive wheel assembly) be checked and cleaned occasionally for hair and debris build-up, which will hinder the performance of the scooter.

Check the battery on a regular basis. For extended battery life, it is highly recommended that the battery be fully charged after each use. If the battery is weak, severely discharged or old, a variety of problems may occur with the unit including charging problems, reduced speed, loss of range, and others.

Please contact your scooter supplier for battery replacement.

## SERVICING

Ensure the EXPLORER Mobile Scooter scooter is serviced every 12 months by an authorised dealer / service technician to ensure it remains in safe working order. Failure to do so may cause catastrophic failure with possible injury and damage to surrounding property. Regular servicing will ensure trouble free operation.

If you have any questions about the inspecting, maintaining or service requirements of the EXPLORER Mobile Scooter please contact your supplier or SHOPRIDER® Mobility direct.

# TROUBLESHOOTING

If the EXPLORER Mobile Scooter fails to operate please check the following aspects:

- Circuit breaker

Using your finger - press the circuit breaker back in if it has popped out.

- Unit is switched on.
- Battery has been fitted.
- Battery level shows sufficient charge.
- All plugs and cable connections are firmly fitted.
- Motor has been engaged. (not freewheeling)

If the motor has been disengaged and the scooter power has been switched on - the scooter will not operate until it is turned off and then turned on again.

If these troubleshooting tips do not fix the issue with the scooter please contact your supplier or SHOPRIDER® Mobility direct for support.

Do not attempt to unless you are a certified technician and have been trained to service the EXPLORER Mobile Scooter.

Unauthorised repairs and fitting of non genuine parts will void your warranty and may seriously compromise the users safety.



# WARRANTY

---

The SHOPRIDER® Mobility **EXPLORER Mobility Scooter** (888SE) is covered by the following warranty from the date of purchase:

The Warranty Terms and Conditions noted below provide your SHOPRIDER® Mobility scooter with excellent coverage against possible defective parts or possible faulty workmanship. If at anytime you have a warranty issue YOU MUST contact the selling SHOPRIDER® Mobility dealer as they are required to undertake the diagnosis and labour content of the warranty. SHOPRIDER® Mobility will as noted below supply spare parts as required as part of this agreement.

Note: Warranty is not transferable.

## **STRUCTURAL FRAME: 10 YEARS**

**(Main frame, Seat frame, Tiller frame)**

SHOPRIDER® Mobility warrants that the frame will be free from defects under normal use, for a period of ten (10) years from the date of purchase by the original customer.

## **DRIVE TRAIN ASSEMBLY: 18 MONTHS**

**(Transaxle, Motor, Batteries, Battery Charger)**

SHOPRIDER® Mobility warrants that the drive train assembly will be free from defects under normal use, for a period of eighteen (18) months from the date of purchase by the original customer.

## **OTHER PARTS: 12 MONTHS**

SHOPRIDER® Mobility warrants that the drive train assembly will be free from defects under normal use, for a period of twelve (12) months from the date of purchase by the original customer.

SHOPRIDER® Mobility will repair or replace, at our option free of charge any part found on examination by SHOPRIDER Mobility to be defective in material and or workmanship within the warranty period. All parts claimed under warrant must be returned to SHOPRIDER® Mobility in their present condition.

Only an authorised “Warranty Dealer” of SHOPRIDER® Mobility can undertake warranty work. Always contact the selling SHOPRIDER® Mobility dealer to arrange all work and assess if warranty applies.

**19.**

# WARRANTY (Continued)

---

## Exclusions

- Normal wear items are not covered under warranty. These items include such items as brushes, tyres, tubes, brake pads, upholstery, seating and armrests.
- Damage caused by excessive, abusive, misuse, negligence, accident or water
- Improper maintenance, maintenance carried out by a non approved "Warranty Dealer".
- Improper operation /storage.
- Any commercial use what so ever.
- Where an authorised dealer has not lodged all required documentation at the appropriate time, the warranty is void.
- All warranties provided do not extend to purchasers of used or secondhand equipment.
- All transportation cost associated with the submission and return of the repair or replacement under warranty (as determined by SHOPRIDER® Mobility) are the responsibility of the original customer.

During the guarantee period, if the company is satisfied there is a genuine fault, we will repair or replace the product at our earliest convenience.

In order for this guarantee to be valid, you must:

- Be the original purchaser
- Provide a copy of the original invoice.
- Comply with manufacturer care and maintenance instructions.

Our goods come with guarantees that cannot be excluded under the Australian Consumer Law. You are entitled to a replacement part for a major failure and for compensation for any other reasonably foreseeable loss or damage. You are entitled to have the goods repaired or replaced if the goods fail to be of acceptable quality and failure does not amount to major failure.

Do not modify the scooter in any way or fit any parts or accessories that are not specified as an option for the product. To do so will void your warranty and may seriously compromise your safety.

If you have any issues or questions about the EXPLORER Mobility Scooter warranty please contact your supplier or SHOPRIDER® Mobility direct.

# DISCLAIMER

---

This Scooter is not intended to be used by individuals with physical limitations that could prevent the user from operating the Scooter safely. Shoprider® Mobility disclaims all responsibility for any personal injury or property damage, which may occur as a result of improper or unsafe use of its products.

The preceding guidance is intended to assist you in the safe operation of this Scooter. If you should have any questions about the correct operation of the Scooter, please contact your authorised Shoprider® Mobility provider.

Please complete the information below for future reference:

Shoprider® Mobility Selling Dealer: \_\_\_\_\_

Scooter Model Number: \_\_\_\_\_

Scooter Serial Number: \_\_\_\_\_

Date of Purchase: \_\_\_\_\_

ATTENTION: This owner's manual is printed based on the latest specifications and product information available at the time of publication. SHOPRIDER® Mobility reserves the right to make changes as they become necessary. Any changes to the SHOPRIDER® Mobility range may cause slight variations between the illustrations and explanations in this manual and the scooter model that was purchased.

Where possible a newer version of this manual may be available on our website:  
[www.shoprider.com.au](http://www.shoprider.com.au)

If you have any issues or questions about the EXPLORER Mobility Scooter please contact your supplier or SHOPRIDER® Mobility direct:

T: **+61 8 9248 4180**

E: **orders@for-de.com.au**

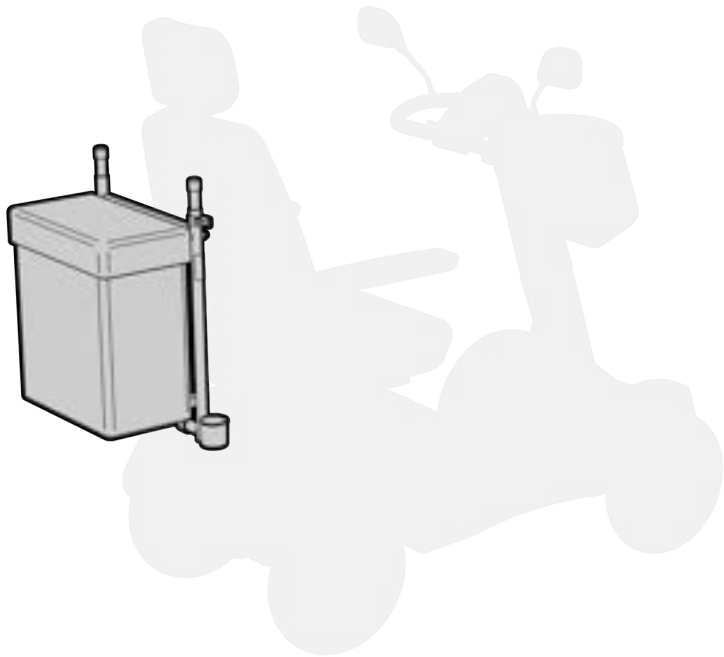
A: **1 Business Way, Malaga, Western Australia 6090**



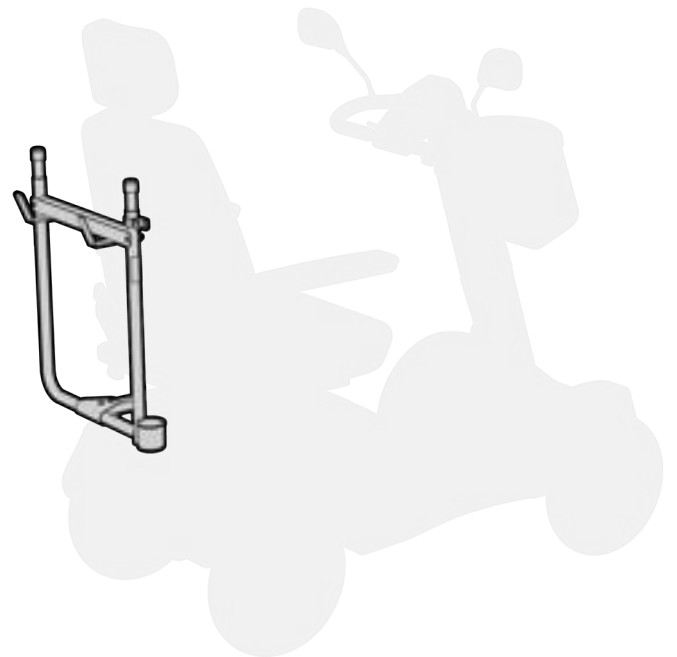
# ACCESSORIES

**SCOOTER  
XTRAS**

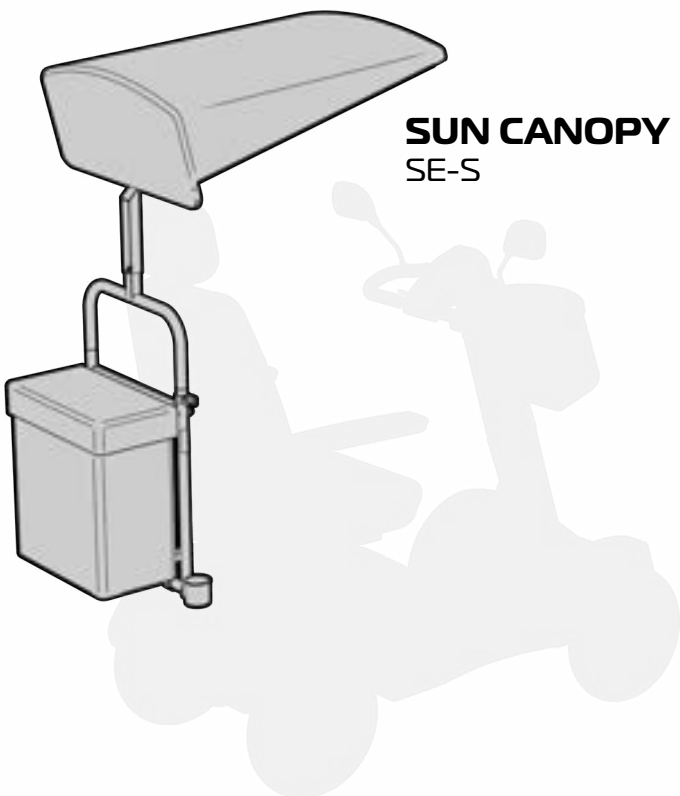
The Shoprider® Mobility EXPLORER Mobility Scooter can be fitted with the following Scooter Xtras range of accessories:



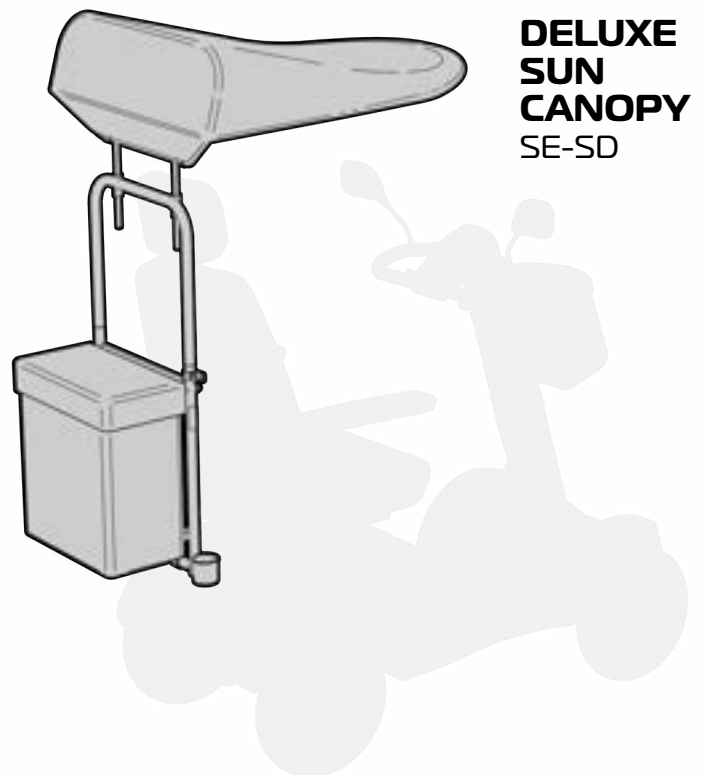
**BAG CARRIER**  
SE-BC



**SEAT WALKER CARRIER**  
SE-WWC



**SUN CANOPY**  
SE-S



**DELUXE  
SUN  
CANOPY**  
SE-SD

Please turn the page for more accessory options...

**22.**

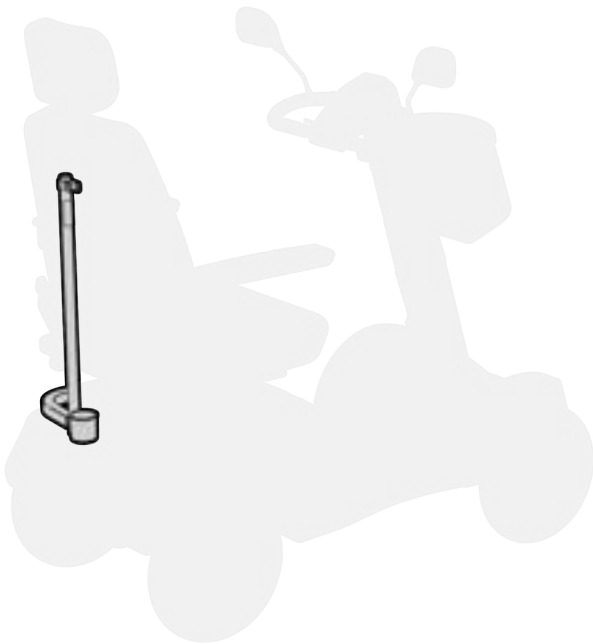
*ASK FOR THE BRAND*

**shoprider.com.au**

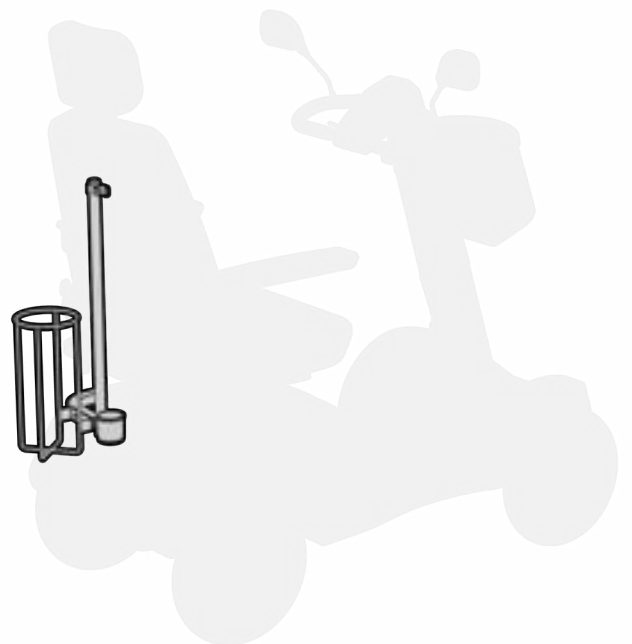
# ACCESSORIES (Continued)

**SCOOTER  
XTRAS**

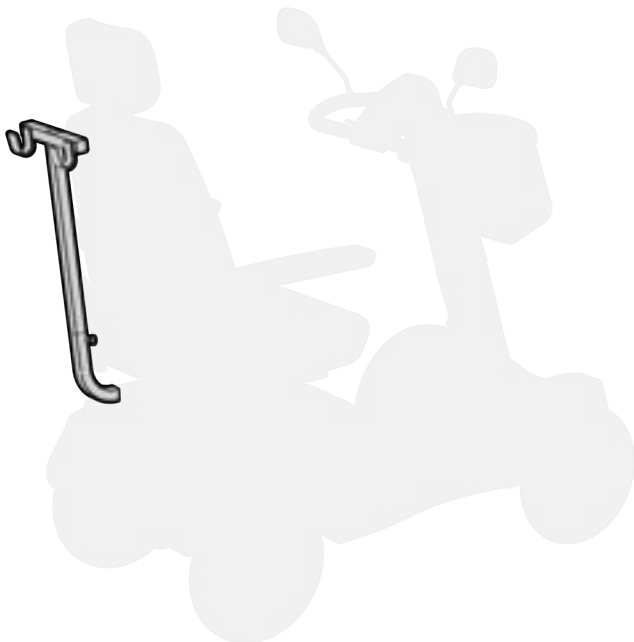
The Shoprider® Mobility EXPLORER Mobility Scooter can be fitted with the following Scooter Xtras range of accessories:



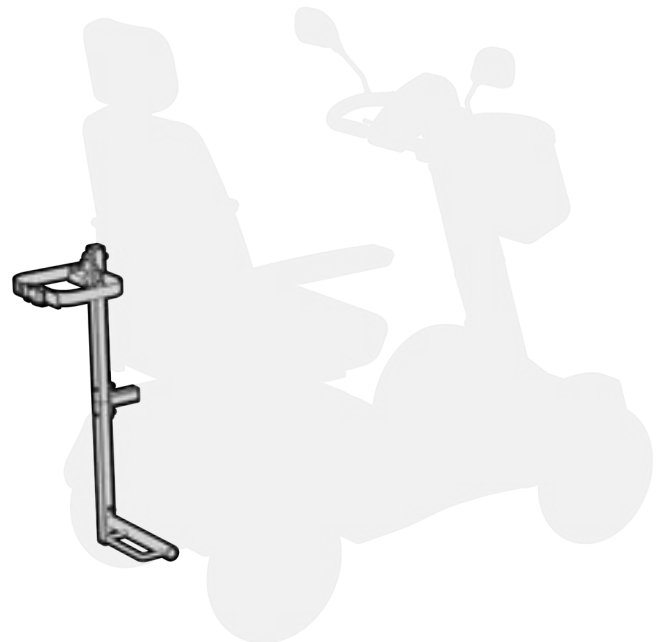
**WALKING STICK CARRIER**  
SE-WSH



**OXYGEN BOTTLE CARRIER**  
SE-OBC



**WALKING FRAME CARRIER**  
SE-WFC



**SIDE FOLDING WALKER CARRIER**  
SE-SFWC

**23.**

Please turn the page for more accessory options...

*ASK FOR THE BRAND*

**shoprider.com.au**

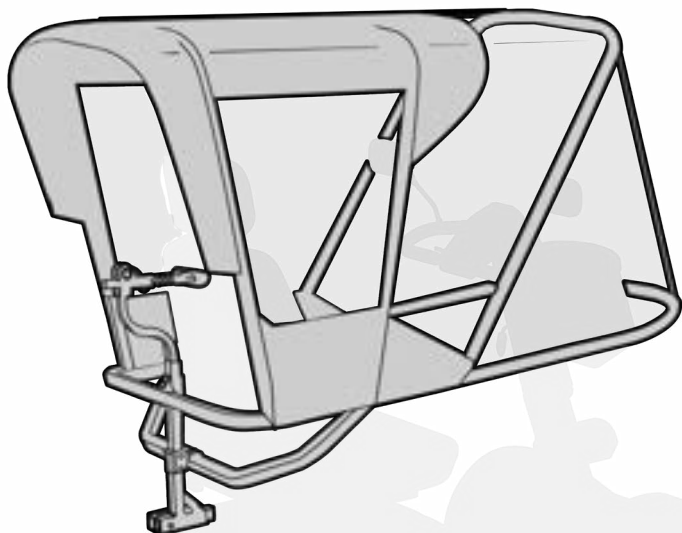
# ACCESSORIES (Continued)

**SCOOTER  
XTRAS**

The Shoprider® Mobility EXPLORER Mobility Scooter can be fitted with the following Scooter Xtras range of accessories:

## MOVO CANOPY

SE-MC



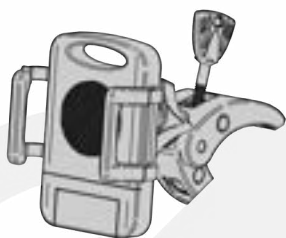
## SAFETY FLAG HOLDER

SE-SFH



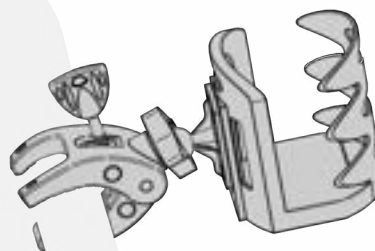
## MOBILE PHONE HOLDER

SE-022



## DRINK BOTTLE HOLDER

SE-020



Please contact your supplier or SHOPRIDER® Mobility direct if you require further information on any the Scooter Xtras accessories that suit the EXPLORER Mobility Scooter.

**24.**

**DISTRIBUTOR:**



300904-203

*ASK FOR THE BRAND*

**shoprider**.com.au