

Owner's Manual



P108A

Table of Content

Introduction	
Practice before operating	2
Safety Instructions	
Safety considerations	4
Driving Outdoors	5
Driving on various terrains	7
Familiarize yourself with your power wheelchair	
Feature Diagram	9
General Specification Data	10
Assembly	11
Adjustment for comfort	
A. Adjustment of Footrest height	12
B. Adjustment of Joystick	12
Operation	
A. Controls and Indicators	13
B. Driving, Steering and Braking	14
C. Pushing the Powerchair by Hand	16
D. Footrest Removal Instructions	17
E. Side Panel / Armrest Flip - up	17
F. Shutdown	18
G. Getting Ready for Permanent use	18
Batteries	19
Battery Charging	21
Folding the Wheelchair	22
Import and Safety Information	23
P&G VSI Controller	26
Maintenance	
A. Rear Wheel	30
B. Front Wheel	30
C. Pneumatic Tire Inflation (Hand Pump for emergency)	30
Troubleshooting Guide	31
lec Symbols	32
Warranty	33

Introduction

Welcome aboard your new P108 powerchair and thank you for choosing our product. This latest model has been designed with specific practical user needs in mind. It combines solid rugged construction and modern high-tech electronics, safety and performance.

The P108 powerchair has a programmable electronic control system reflecting the latest state of the art design. It means, among other things, that your powerchair can be programmed and adjusted within a given range of its performance characteristics, to suit your individual needs and wishes. The controller is set at the factory to give the powerchair nominal operating performance characteristics.

If after an initial trial period, when you have familiarized yourself with your powerchair, you would prefer certain features to be more adapted to your personal requirements (e.g. acceleration, deceleration, maximum speed, cornering speed, response to joystick movement, etc.) Please contact your local dealer. He will be able to advise you, and he has the necessary equipment to carry out any adjustments required.

We recommend that your powerchair is serviced by your local dealer every six months. It is in your best interests, not only to ensure your personal safety but also to ensure long life and reliability. Please ensure that your service schedule (at the rear of this booklet) is signed by your dealer after each service.

This manual contains some useful tips and information on safety, operation and maintenance. Please read it carefully to ensure that you get maximum enjoyment and benefit from your new independence and mobility.

Whenever you require special advice and attention, do not hesitate to contact your local dealer. He has all the equipment and know-how to provide expert service. You are his customer as much as ours and he wants to see you satisfied.

Please complete and return the enclosed guarantee form.

Failure to follow these instructions may result in damage to the powerbase wheelchair or serious injury.

■ Practice Before Operating

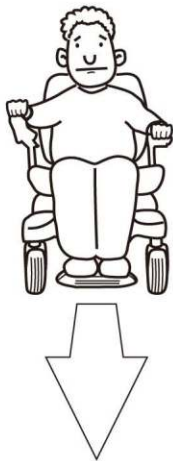
Find an open area such as a park and have an assistant to help you practice until you have confidence operating this vehicle.

Make sure that the power is off before getting in or out of the seat. Set the speed control button according to your driving ability.

We recommend that you keep the speed control at the slowest position until you are familiar with the driving characteristics of this vehicle.



Getting familiar with this vehicle



**First, practice moving forward.
Be sure to set the speed to the lowest setting.**



After becoming familiar with moving forward, practice marking "S" turns.



Once you are familiar with "S" turns, practice moving in reverse. Note that for any speed control setting, the vehicle moves more slowly in reverse than forward.

■ Safety Considerations

DO NOT do any of the following



NO!

Do not carry any passengers



NO!

Do not drive across a slope



NO!

Do not drink and drive
Consult your physician to
determine if your medications
impair your ability to control this
vehicle



NO!

Do not tow a trailer



NO!

Do not turn on or use hand-held personal
communication devices such as citizens band(CB)
radios and cellular phones

■ Driving Outdoors

When you are on the road, please pay attention to the following:



NO!

Do not drive in traffic.



NO!

Do not drive beside a river, port, or lake without a fence or railing.



NO!

If possible, do not drive during the rain.



NO!

If possible, do not drive during or on snow.



NO!

Do not drive off-road or on any uneven surfaced roads.



NO!

If possible, do not drive at night.



NO!

Make sure that there are no obstacles behind you when in reverse.

We recommend to set up the speed at the lowest setting for reversing.



NO!

Do not make sudden stops, weave erratically, or make sharp turns.



NO!

Keep your arms on or inside the armrests and feet on the footrest at all time.



NO!

Do not attempt to climb curbs greater than 1.5"(4cm).



NO!

Do not attempt to cross over a gap greater than 4"(10cm).

Gap greater 4"(10cm)

■ Driving on Various Terrains

Driving on hills is more dangerous than on level surfaces. If you fail to heed these warnings, a fall, tip-over or loss of control may occur and cause severe injury to the vehicle user or others.



NO!

Do not attempt to climb a hill greater than 10°



NO!

Do not reverse while driving up a hill.

Forward only. If you reverse while moving up a hill, it may cause the vehicle to tip over.



NO!

Do not attempt to drive across a sloping surface greater than 3°

Driving across a slope greater than 3° is very dangerous and may cause the vehicle to tip over.



NO!

Do not drive over soft, uneven or unprotected surfaces such as grass, gravel and decks.



NO!

Do not get on and off on a hill.

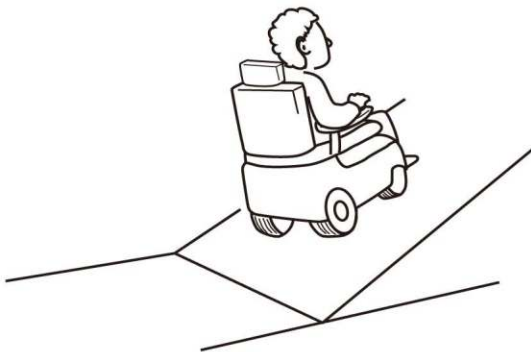
Always stop on the level surface to get in and get out of the vehicle.



YES!

Use low speed while driving down hill.

When braking while moving down hill, the wheelchair will take longer to come to a complete stop.



YES!

Always climb or descend gradients perpendicular to the slope or ramp.

Familiarize Yourself With Your Power Wheelchair

■ Feature Diagram



1. Controller
2. Joystick
3. Seat
4. Adjustable footrest
5. Folding backrest

6. Flip-Up armrest
7. Battery
8. Caster
9. Rear wheel (Drive wheel)
10. Drive motor

Power Wheelchair Owner's Manual

■ General Specification Data

Model	P108A-16"	P108A-17"	P108A-18"
Seat width	40cm/16"	43cm/17"	46cm/18"
Seat depth	43cm/17"	43cm/17"	43cm/17"
Height of seat	50cm/20"	50cm/20"	50cm/20"
Overall length	112cm/44"	112cm/44"	112cm/44"
Overall width	56cm/22"	59cm/23"	62cm/24"
Overall height	94cm/37"	94cm/37"	94cm/37"
Total weight (with batteries)	30kg/66lbs	31kg/68lbs	32kg/70lbs
Maximum speed	8 kph/5mph		
Range up to	20km/12.5mi.		
Gradient	6°		
battery	24V15AH li-battery		
motor	DC24V100W		
controller	PG VSI 50A		
caster	8"Pu tire		
Drive wheel	12.5"foam filled tire		
brake	intelligent,regenerative,electromagnetic brakes		
Charger	24V3A		
capacity	114kg/250lbs		

■ Assembly

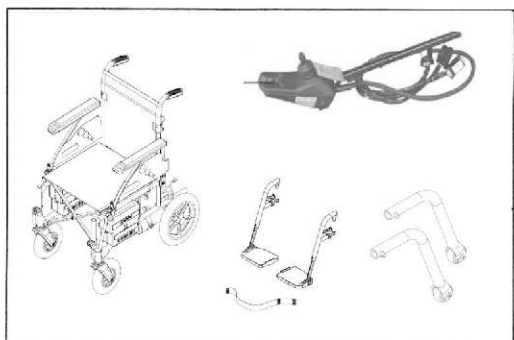


Figure 1-1

- 1). Ensure that you receive the controller ass'y , footrest, and anti tipper.
- 2). Open the power chair.



Figure1-2

- 3). Insert the controller ass'y , fixed knob .
- 4). Plug in the power connector Black connector to black one. Red connector to Red one (Figure 1-2).

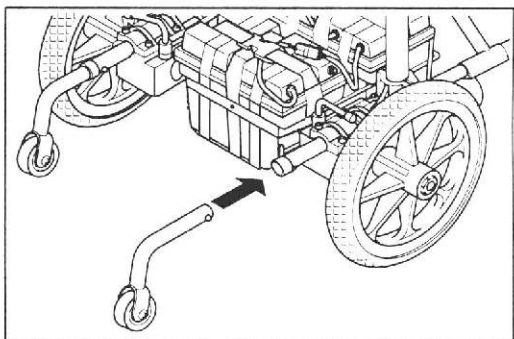


Figure 1-3

- 5). Insert the anti-tipper (Figure 1-3).



Figure 1-4

- 6). Install the footrest (Figure 1-4).

Adjustment of Comfort

■ A. Adjustment of footrest Height



Never stand on the footrests when entering or leaving the powerchair.

1. Using the Allen key provided, loosen the bolt (Figure 2) on the footrest outer tube and slide the footrest inner tube up or down as required.
2. After adjustment, tighten the bolt.

Note: To enter or leave the powerchair sideways, remove the side panel / armrest. Refer to "Side Panel / Armrest Flip-up."

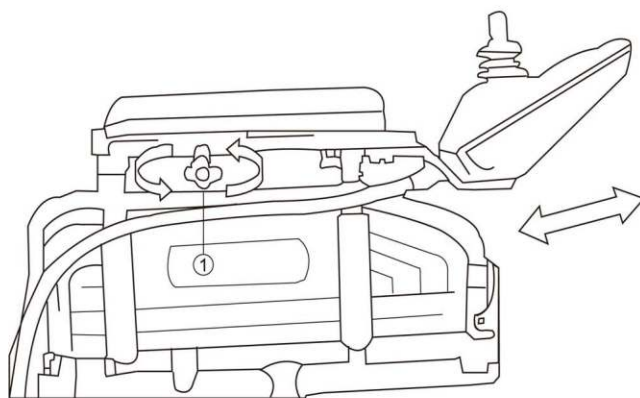
Figure 2



■ B. Adjustment of Joystick

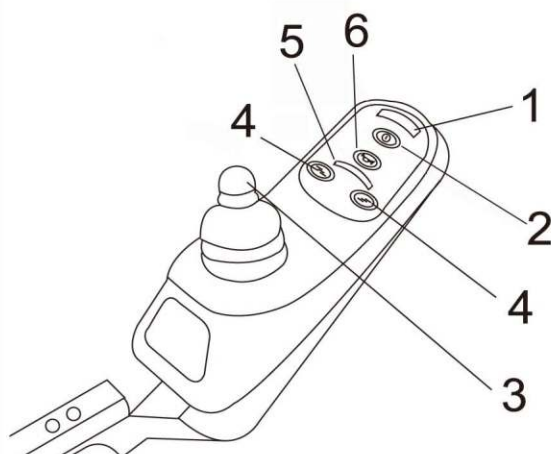
Once seated and satisfied that the footrests are correctly adjusted, check to see that the controller is in a convenient position so that you can reach it easily and safely. To adjust the controller forward or rearward, loosen star knob (Figure 3-①) and retighten after adjustment.

Figure 3



Operating

■ A. Controls and Indicators



P&G VSI

Figure 5

It comprises:

1. Battery gauge (fuel meter)
2. Power ON / OFF push-button
3. Joystick
4. Speed adjust button
5. Speed adjust display
6. Horn button

■ B. Driving, Steering and Braking

Move the joystick gently forward. The more you push the joystick forward the faster you will travel, but you will not exceed the speed limit imposed by the speed limit control, regardless of the joystick position.

To reverse, pull the joystick to the rear, beyond its center (neutral) position. The joystick is also your steering lever. Move it to the left and you turn left. Move it to the right and you turn right.

The powerchair is very responsive and maneuverable. It can turn within its own length. You should avoid making abrupt turns and jerky steering while you are moving at a brisk speed.

If you want to slow down, move the joystick toward its center position. When you want to stop or have to make an emergency brake application, simply release the joystick. It will automatically return to the center (neutral) position. At this moment the armature brakes of the electric motors will cut in and bring the powerchair smoothly to a standstill.

Once the powerchair is at a standstill, it is automatically locked in its parking position by the electromagnetic safety brake system.

When climbing curbs, even with no curb riders fitted, you will find that your powerchair will smoothly overcome low to medium high curbs without the need for drastic speed variations, because the micro-computer of the electronic controller automatically compensates for any extra power required.

Negotiating Gradients

The powerchair has a climbing power that enables you to overcome gradients of up to 25% (1 in 4).

Caution

On loose ground (sand, gravel, grass, etc.) The maximum gradient should not exceed 20% (1 in 5).

Always approach an incline directly, not at an angle, and follow it up or down directly, not in a zig-zag movement.

Caution

Never attempt to climb or descend an incline which has a slippery or icy surface.

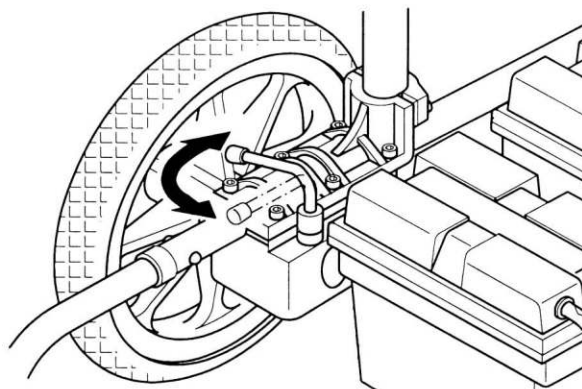
While going uphill or downhill there is no need for drastic corrective joystick movements. The electronic controller ensures that the extra power required for climbing is automatically applied to the motors, so that the selected speed is maintained.

The same applies when you travel downhill. The armature brake and the electromagnetic safety brake give you full control over your powerchair at all times. This unique brake system enables you to descend at a constant slow speed.

You can stop at any time while you are climbing or descending. Simply release the joystick as on the flat. The electromagnetic safety brake will ensure that the powerchair is positively locked and secured in parking position until you are ready to continue your journey.

■ C. Pushing the Powerchair by Hand

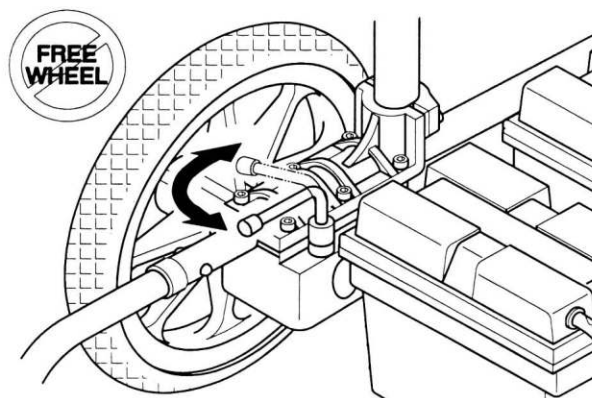
Figure 6



If the powerchair is to be pushed by hand, proceed as follows:

From behind the vehicle, turn the two uncoupling levers (Figure 6) of the electric motors outward to the side, so they are pointing toward the rear wheels.

Figure 7



Warning

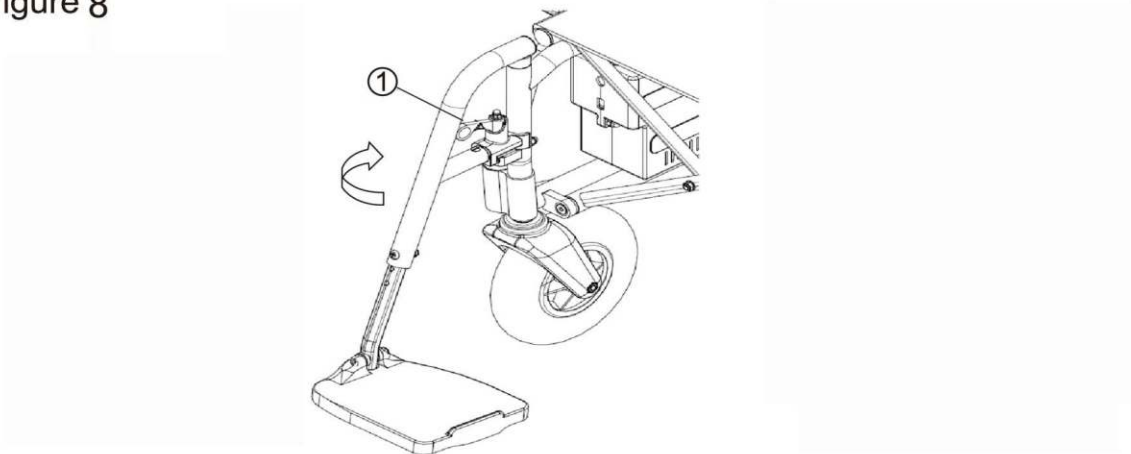
1. Never move the uncoupling levers while the vehicle is operating with powered drive.
2. When the electric motors are disengaged the armature brakes and the electromagnetic safety brakes are out of action, so ensure the powerchair is secured with the hand-brakes when it is parked.

When normal powered operation is to be restored, return both uncoupling levers to normal position. (Figure 7)

Important: The vehicle will not operate with powered drive unless both uncoupling levers are in normal position.

■ D. Footrest Removal Instructions

Figure 8



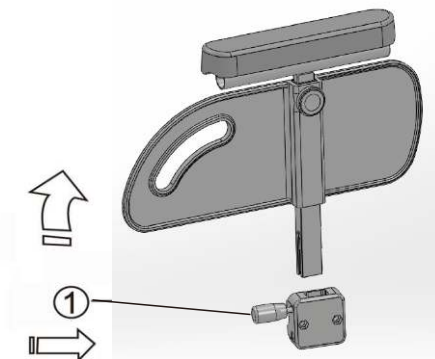
These parts can be removed in a simple manner without the use of any tools.

Footrest / (Elevating Leg Support (Optional))

1. Push the spring loaded steel lever (Figure 8 - ①) inward.
2. Swing the footrest assembly slightly outward and lift the complete footrest assembly clear of the main frame.
3. Installation is a reversal of the removal procedure.

■ E. Side Panel / Armrest Flip-up

Figure 9



1. Simply push the arm release lever at the front of the side panel (Figure 9 - ①) Downward and pull the front of armrest up then swing it to the back.
2. Installation is a reversal of the removal procedure.

■ F. Shutdown

Before you leave your powerchair, press the ON / OFF push-button. The Warning lamp and voltmeter indicator will extinguish. Fold the footrest plates upward.

Make this shutdown sequence a standard procedure and a habit. It is essential for your personal safety.

■ G . Getting Ready for Permanent Use

Now that you have had a good look at your brand new powerchair and taken it for a test drive in your home and around the house.

It is absolutely necessary to carry out a battery charging procedure before you start normal operation and take your powerchair on its first long-range outing. Read the next section carefully.

■ Batteries

The powerchair has one 15 AH Li-battery (See General Specification Data) which are accommodated in one battery boxes under the seat at the rear of the powerchair. The battery is sealed and maintenance free.

***Warning* Do not attempt to open the batteries.**

Regular monitoring of the battery charge condition and timely recharging are essential to ensure reliability and performance of your powerchair as well as long battery service life.

The intervals at which the batteries have to be recharged (hours traveled or mileage covered) depend on various factors. It is not possible to specify a generally valid fixed date. Observe the following and you will soon establish a cycle in accordance with your individual requirements and driving routine.

At full battery charge all LED segments of the battery gauge (Figure 5 -①), are lit continuously. With the progressive discharge of the batteries, successive segments will extinguish.

Note: Volt meter is only supplied on this model.

If the battery gauges show just red and yellow. Depending on age and condition of the batteries, you are then left with a limited driving range before you must recharge the batteries. (approx. 2mi.) To avoid this critical condition, we recommend charging the batteries overnight whenever you have used your powerchair. It will not only spare your unpleasant situations en route but will also prolong the battery service life.

Should you ignore this warning, while the battery, gauge is on red, and allow the batteries to become almost fully discharged, the electronic controller will automatically shut down the entire electrical system of the powerchair and bring it to a halt.

This automatic shutdown of the powerchair, accompanied by fast flashing of the ON / OFF push-button will also occur in the event of any fault in the wiring, the motors, or the controller itself.

Note: While climbing a steep gradient, you may find that the battery warning lamp begins to flash. This does not necessarily mean that the batteries are discharged to the critical level. Recheck the warning lamp after you reach level ground.

If during the course of the day, you have used your powerchair for more than one hour of actual traveling time, it is recommended that you charge the batteries overnight. The special-design charger will switch off automatically when the batteries are charged, so it is completely safe and does not use excess electricity regardless of the time the batteries are connected to the charger.

If your powerchair remains unused for any length of time (approximately four weeks or more), the batteries must be charged. Charge them at least once a month to maintain their charge.

■ Battery Charging

The batteries of your powerchair are different from ordinary car batteries. Only use the charger specifically designed for the motive-power type batteries installed.

Charging procedure

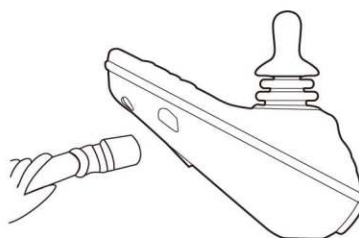
1. Always insert the charger output plug into the charging socket on the controller. Only then connect the charger input cable to an electrical outlet.
2. Follow the instructions on the front panel of the charger for its operation and the meaning of its indicators.
3. The minimum time required for charging varies and depends on battery condition and discharge level. We recommend, however, that the batteries be charged overnight.

Note: The specially designed charger ensures that excess power is not consumed regardless of how long it is switched on and connected to the batteries.

4. On completion of the charging cycle, first disconnect the charger input from the electrical outlet and only then disconnect the charger from the controller socket. Do not leave the charger connected to the controller when its input power is disconnected. This will cause the batteries to discharge.

For replacement of the batteries, contact your dealer.

Figure 10



■ Folding the Power Wheelchair

Figure 10



The powerchair can be folded to a neat and compact size within minutes.

1. Fold the two footrest plates upward.
2. Loosen the star knob for adjustment of the controller position and slide the controller back as far as it will go. Tighten the star knob.
3. Take a firm hold of the seat support tubes on each side of the seat and pull upward. The two sides will close together to a compact stowing size.
4. If the folded powerchair is stowed or transported in a horizontal position, place it so that the side with controller is uppermost to prevent damage to the controller.

■ Important Safety Information

Fam Filled Tires

No inflation necessary

12 - 1/2" X 2 - 1/4" rear wheels

Turning Radius

It is very important, especially when traveling on inclines, to reduce your speed with the control joystick before making a sharp turn. Never try to turn the powerchair suddenly while traveling at full speed.

Your powerchair should not be operated on streets except when using the crosswalks. Operate your powerchair with extreme caution.

Anti-Tip Tubes

Anri-rip tubes are standard with the powerchair. Replacements for these parts are available through your authorized dealer. Anti-tip tubes prevent the powerchair from tipping backwards. We suggest that anti-tip tubes be used on this model powerchair at all times.

Parts

Special high strength fasteners are used on the powerchair. Replacements for these parts should be ordered through an authorized dealer.

Warnings

Never stand on the footrests as it may cause the powerchair to tip over.

Never lift the powerchair by the footrests. The footrests are removable and lifting the powerchair by the footrests could cause damage to the powerchair or possible injury to the owner.

Never connect the battery charger to the main supply until after you have connected it to the powerchair.

It is important to develop safe techniques before attempting to negotiate obstacles such as curbs, ramps and inclines. Never try to go up a steep incline without assistance. Avoid uneven and hilly terrain as the powerchair may tip over. Avoid grades steeper than 10% (1 foot rise in a ten foot distance) without assistance.

Control your speed carefully when traveling downhill. Slow speeds should be used when traveling on downgrades.

Do not use the ON / OFF switch to turn off the power to the powerchair while it is moving. Using this switch while the powerchair is still in motion causes it to come to an abrupt stop and may cause injury to the owner or damage to the power chair.

Many power wheelchair controllers have been affected by high power radio transmitters, such as CB radios and cellular telephones. If any of these devices are being used near your powerchair, you should use caution in operation. If loss of control occurs, shut off your powerchair immediately and leave it off until the interfering devices are no longer operating.

The user should be trained by a healthcare professional to assure safe operation of the powerchair during the performance of daily activities.

Weight Limit

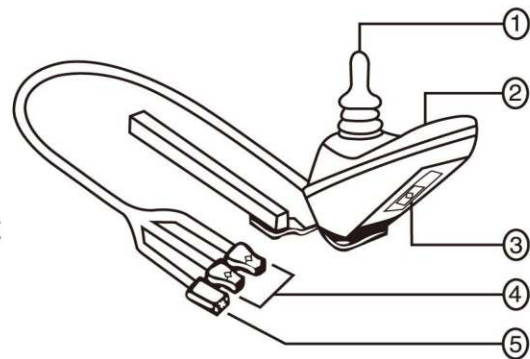
Maximum weight limit should not exceed standards (See General Specification Data).

Controller

The electronic controller is what you use to operate your powerchair. It takes the battery voltage and sends it to the appropriate system. The electronic controller enables you to move the powerchair, as well as monitor battery status, electronic controller functions, and the conditions of your electrical system. The controller is an integral electronic controller. All of the electronics necessary to operate the powerchair are contained in one module.

The controller consists of:

1. Joystick
2. Keypad
3. Off-board charger / programming socket
4. Motor connectors
5. Battery connector



Typically, the controller is mounted to one of the armrests and is connected to the motors and batteries.

Joystick

The joystick controls the direction and speed of your powerchair. When you move the joystick from the neutral position (center), the electromagnetic brakes release and allow your powerchair to move. The further you push the joystick from its neutral position, the faster the powerchair will move. When you release the joystick and allow it to return to the neutral position, you engage the electromagnetic brakes. This causes the powerchair to decelerate and come to a complete stop.

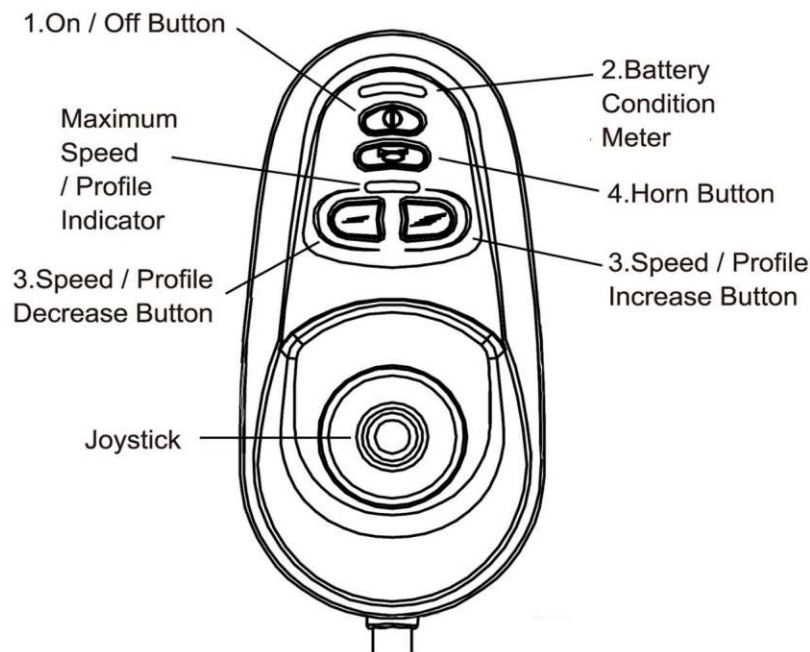


If your powerchair begins to move in an unexpected manner, immediately release the joystick. Unless the joystick is damaged, this action should stop your powerchair.

P&G VSI Controller

Keypad

The keypad is located on the front of the joystick.
It contains keys necessary to operate your power chair.



1. On / Off Button

The on / off button turns the controller on and off.



Unless faced with an emergency situation, do not use the on / off key to stop the chair. This will cause the power chair to stop abruptly. Always turn the power off when you are stationary to prevent unexpected movement.

2. Battery Condition Meter

P&G VSI:

The battery condition meter is located on the front of the joystick. This is a 10 - segments illuminated display that indicated that the VSI is turned on and also gives the battery status, the VSI status, and the electrical system status.

Red, yellow, and green lights lit: Battery charged; VSI and electrical system OK.
Red, and yellow lights lit: Charge battery if possible; Vsi and electrical system OK.

Red, lights only lit, or slow flash: Charge battery as soon as possible; VSI and electrical system OK.

Rapid flash of lights: Indicates a fault in the VSI or the electrical system. Refer to "VSI Error Codes."

Ripple up and down lights: The joystick was not in the neutral position when the controller was turned on. If you get the "ripple up and down lights", turn off the controller, allow the joystick to return to the neutral position, then turn on the controller.

NOTE: If you still get the "ripple up and down lights", contact your dealer.

NOTE: When the batteries approach a discharged state, the first red light will begin to slowly flash, reminding you the batteries need to be charged immediately.

3. Speed / Profile Buttons

There are two buttons that control either the speed or the profile. This depends on how your controller was programmed. Press the speed / profile increase button to increase the speed or change the profile. Press the speed / profile decrease button to decrease the speed or change the profile.

The speed / profile setting is displayed on the maximum speed / profile indicator.

If your powerchair was programmed with a drive profile, contact your authorized dealer to provide more information.

NOTE: We recommend that the first few times you operate your powerchair, you set the speed to the slowest setting until you become familiar with your new powerchair.

4. Horn Button

The horn button activated the horn.

Off - Board Charger / Programming Socket

You may use an off - board charger to charge the powerchair batteries through the 3 - pin socket located in the front of the controller. If you use an off - board charger, the charger current should not exceed 12 amps. contact your dealer for more information.

CAUTION! Only chargers with Neutrik NC3MX plugs should be connected to the off board charger / programming socket. See your dealer for more information.

Note: The socket may also be used for programming the controller. Contact your dealer for more information.

NOTE: If any of the above LEDs flash rapidly, it means either a total short circuit, a single open circuit, or a total open circuit in the associated indicator has been detected.

CAUTION! Failure to properly align the connectors can result in damage to the controller, the charger, and the connectors.

Battery Connector

This connects the controller to the powerchair's battery box.

Motor Connector

This connects the controller to the powerchair's motors and brakes.

Thermal Rollback

The controller is equipped with a thermal rollback circuit. The circuit monitors the temperature of the controller, which roughly translates to motor temperature. In the event that the controller becomes excessively hot (above 140 deg. F), motor current (amperage) is reduced. For every degree above 140 deg. F, the motor current limit is reduced by 40 amps until the controller reaches 158 deg. F., at which time the current output is reduced to zero. This reduces your chair's "power", which also could reduce your chair's speed, and allows the electrical components and motors to cool down. When the temperature returns to a safe level, your powerchair resumes normal operation.

VSI Error Codes

The VSI controller is designed with the user's safety as the prime consideration. It incorporates many sophisticated self-test features which search for potential problems at a rate of 100 times per second.

If the VSI detects a problem either in its own circuits or in the powerchair's electrical system, it may stop the powerchair, depending on the severity of the problem. The VSI is designed to maximize the user's safety under all normal conditions. The table below identifies the individual error codes. Error codes are displayed as a rapid flashing of lights. If you get one of these error codes, please contact your dealer.

Flashing Lights	Diagnosis / Solution
1	The battery needs charging, or there is a bad connection to the battery. Check the connections to the battery. If the connections are good, try changing the battery.
2	The left motor has a bad connection. Check the motor connection.
3	The left motor has a short circuit to a battery connection. Contact your dealer.
4	The right motor has a bad connection. Check the motor connection.
5	The right motor has a short circuit to a battery connection. Contact your dealer.
6	The power chair is being inhibited by the battery charger. Unplug the battery charger.
7	A joystick fault is indicated. Make sure that the joystick is in the neutral (center) position before turning on the controller.
8	A controller fault is indicated, make sure that all connections are secure.
9	The parking brakes have a bad connection. Check the parking brake and motor connections, make sure the controller system connections are secure.
10	An excessive voltage has been applied to the controller system. This is usually caused by a poor battery connection. Check the battery connections.

■ Maintenance

There are no specific maintenance requirements for the joystick and the controller, but the service life of the equipment will be extended if you observe the following:

The joystick box and the controller are splash proof but should be protected from excessive spillage of liquid. Do not expose to direct heat (from an electric heater, for example). Check that the rubber boot on the joystick and switch cover are in good condition and show no holes or cracks.

Wheels - Removal / Installation

A. Rear Wheel

1. Ensure that the freewheel lever of the motor drive is engaged. (Figure 7)
2. Support or jack up the powerchair under the frame side-member.
3. Unscrew the hexagon nut and remove, together with the washer.
4. Withdraw the rear wheel from the drive axle.

Installation is a reversal of the removal procedure. Check that the threads of the hexagon nut are undamaged and clean. If necessary, wipe with a clean dry cloth. Do not use any sharp tools to clean the threads. Do not forget to slide the washer over the nut before it is screwed in. Tighten the nut firmly.

B. Front Wheel

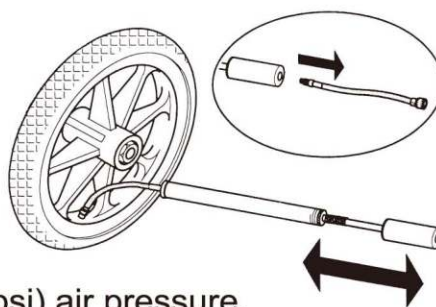
1. Support or jack up the powerchair under the frame side-member.
2. Using the wrench provided, remove the axle bolt.
3. Slide the front wheel out of the fork.

Installation is a reversal of the removal procedure.

C. Pneumatic Tire Inflation (OPTION) (Hand Pump for Emergency)

1. Take out the connection adaptor from air pump.
2. Insert the adaptor to the pump and the valve of tire.
3. Start to inflate tire to your desired (30 ~ 37 psi) air pressure.

Figure 16








■ Troubleshooting Guide

Nature of Fault	Problem Cause	Action
1. Powerchair will not move, power on lamp doesn't light up.	<ul style="list-style-type: none"> a) Master plug not inserted b) ON / OFF push-button in off position c) Batteries discharged to low level d) Loose plug connection at controller or battery 	<ul style="list-style-type: none"> a) Insert master plug b) Press in c) Re-charge the batteries d) Press plugs firmly into sockets
2. Powerchair will not move, power on lamp lights up.	<ul style="list-style-type: none"> a) Drive motor not engaged b) Fault in controller electronics 	<ul style="list-style-type: none"> a) Reset uncoupling lever(s) b) Consult dealer

Important

In all cases of an electrical fault, check that the circuit breaker (located on the rear battery box) is pressed in. If it has been tripped it must be pressed. If the reset button comes out again, even after the suspected cause of the fault has been corrected, consult your dealer.

IEC SYMBOLS	
	Caution, attention or consult accompanying documents.
	Alternating Current
	Type BF Equipment
	Double Insulation
	No Smoking or Naked Flames

Degree of protection against ingress of water is rated as IPx0.

■ Limited Warranty

Corporation warrants to the original purchaser of this wheelchair product that it is free of defect in material and workmanship and that, when operated within the guidelines and restrictions of this manual, will remain so free of defect in material and workmanship for a period of One (1) year from the original date of purchase.

Excluded from this warranty is failure due to negligence, abuse, accident, operation outside of rated limits, commercial or institutional use, damage / wear to upholstery or tires and improper maintenance or storage. The batteries for this wheelchair product are not supplied by Corporation; contact the battery manufacturer / supplier if warranty replacement is requested.

This wheelchair product must not be modified in any way without the express written consent of Corporation. Any such unauthorized modification could cause unreliable and / or unsafe operation and will void this warranty.

Where a failure occurs within the 1- year warranty period that is not excluded above, the failed components will be replaced with similar new or reconditioned components at sole option. Corporation will not be responsible for labor and / or shipping charges.

The foregoing warranty is exclusive and in lieu of all other warranties expressed or implied including, but not limited to, the implied warranty of merchantability and fitness for a particular purpose. Corporation will not be liable for any consequential or incidental damages whatsoever.

