

OKIN Motor and Hand Control

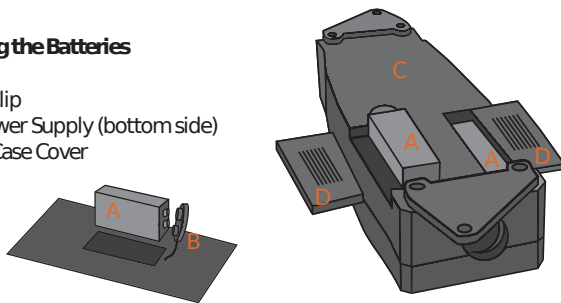
Specifications: The supply voltage is 240V AC, 50Hz. A transformer reduces the voltage entering the chair to 24V DC. Both motors and the hand control operate at 24V DC.

Battery Backup: This Lift Chair system is fitted with an emergency battery backup, in the event of a power failure the chair will automatically switch to the emergency backup. The purpose of the emergency backup is NOT for continual use in an outage. It is intended for a single use only. The battery backup is powered by 2x 9V disposable batteries that are fitted into the transformer and should be replaced as per maintenance guidelines.

Maintenance: The motors are maintenance free. They are protected by thermal overloads and will stop Automatically if operated excessively. Backup batteries should be replaced every 12 months or after a power outage, the batteries are two 9V and are found behind sliding covers on the bottom of the transformer.

Connecting the Batteries

- A Battery
- B Battery Clip
- C PD13 Power Supply (bottom side)
- D Battery Case Cover



Product Usage Guide

130kg weight capacity
Single Motor Lift Chair



Button Layout



- Raise backrest,
- Close footrest,
- Raise chair.

- Lower chair,
- Open footrest,
- Lower backrest.

- Raise backrest,
- Close footrest,
- Raise chair.

- Lower chair,
- Open footrest,
- Lower backrest.

USB
on/of



Do not drop into chair when partially raised



Assist footrest by lifting feet



Do not sit on the footrest



Fully raise seat before sitting

A 6 King Drive, Horsham, VIC, 3400
P (03) 53811404
E sales@oscarfurniture.com.au
W oscarfurniture.com.au